



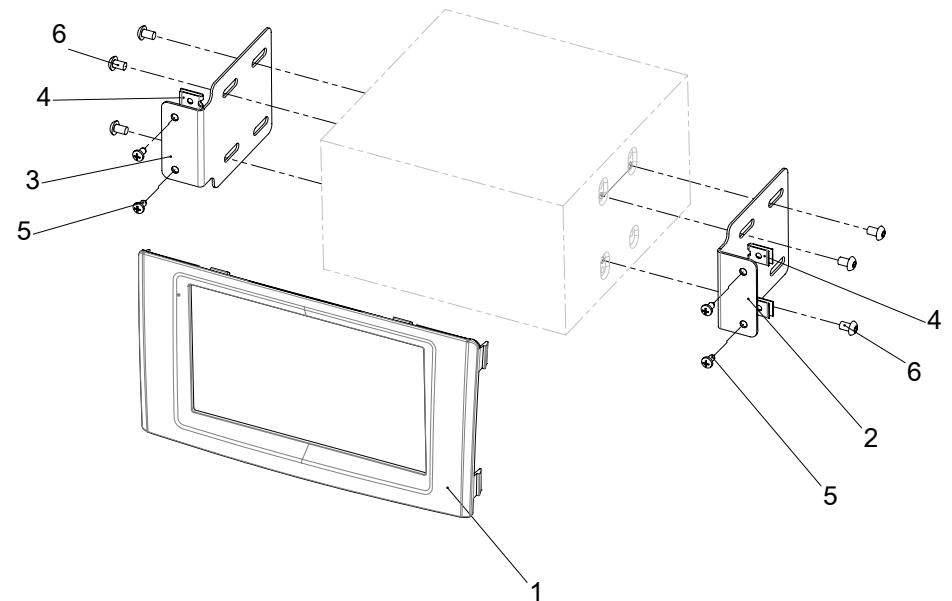
Double DIN Installation Manual

• Iveco Daily IV/V 05/2006->

colour / part-no.:
silver / 381162-01-1
anthracite / 381162-01-2

Compatible with double DIN devices

Double DIN Navigation

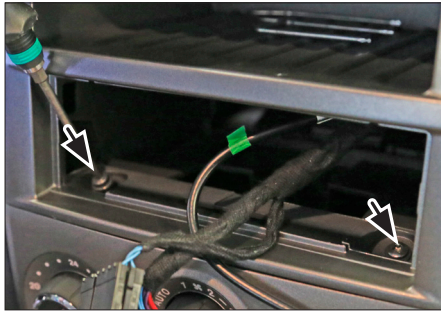


- | | |
|----------------------------|--|
| (1) Facia Plate | (4) speed nut |
| (2) Mounting bracket right | (5) self-tapping convex fillister head screw |
| (3) Mounting bracket left | (6) flat headed screw |

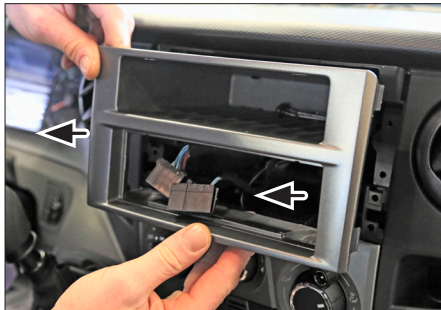
*All installation work must be performed by a qualified professional installer only.
The manufacturer / dealer is not liable for any kind of incidental or indirect damages.*



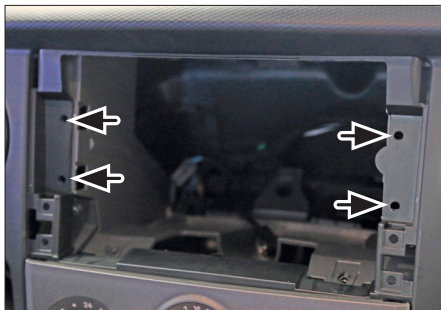
1. Remove OEM head unit with radio release keys



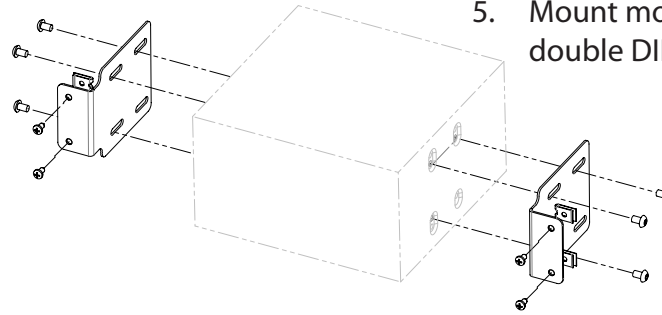
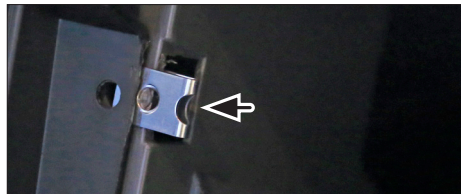
2. Remove 2 screws (see arrows)



3. Remove OEM bezel



4. Put four speed nuts in the openings of dash board



5. Mount mounting brackets to double DIN head unit



6. Connect all required circuit points. Push double DIN head unit into dashboard



7. Fix double DIN head unit with 4 screws (see arrows)



8. Place facia plate on dashboard to finish installation